



► SondBlock

A Compact and Rigid Heat Exchanger

SONDEX®

Recommended Applications:

The SondBlock is designed for demanding fluids, heavy duties and high temperature and pressures. Typical applications include oil and gas production, refineries and mining, chemical processing and condensing applications etc.

Design Principle:

The SondBlock heat exchanger is built into a frame with a welded plate pack. The cross-flow plate patterns provides a high turbulence and a high heat transmission.

The Sondex SondBlock is the perfect solution for heavy duty and condenser tasks which cannot be handled in a normal gasketed plate heat exchanger because of a too high design temperature, design pressure, or if there is no suitable gasket material for the media to be treated in the heat exchanger.

No application and duties are the same for a SondBlock. All Sondex SondBlocks are custom-made according to specifications provided from the customer.

Installation:

The Sondblock is a compact solution. The Sondex SondBlock has four removable sides for easy maintenance and cleaning and the design only requires a small space for installation compared to traditional heat exchanger solutions. This saves valuable production space and costs.

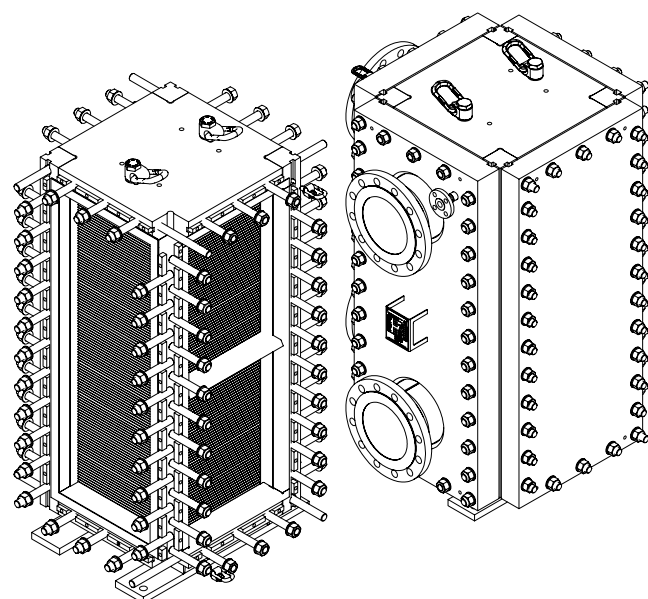
Data Required for Correct Quotation:

- Duty
- Type of media
- Pressure loss
- Flow rate
- Working pressure
- Thermodynamic properties
- Temperature
- Working Temperature
- Product concentration by inlet and outlet

Above data determines the choice of heat exchanger.



SondBlock



For exact dimensions of the SondBlock please refer to the dimension drawing

Frame:

- Carbon steel, colour RAL5010 (Available in other colours.)
- Stainless steel.

Plate Material:

AISI 304/316, 254 SMO and titanium. Other materials available on request

Design Pressure/Temperature:

Design pressure: up to 2.5 MPa (362 PSI) or higher pressure on request.
Design temperature: 300°C (572°F)

Construction Standard:

- EN13445 (PED 2014/68/EU)
- ASME sec VIII, Div. 1

Connections:

Connections in stainless steel or carbon steel. Other materials available on request.

The flange size is depending on the size of the unit and the flow rate. According to all known standards.

Surface Area:

The surface area: From 1 to 400 m²

Extra Equipment:

- Floor mounting feet
- Insulation jacket